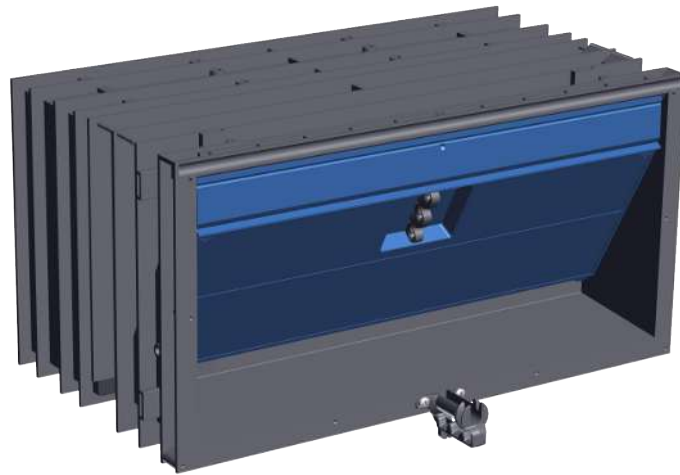


# DA 1200 Wall Inlet

## Technical Info



Ihr Servicepartner



**LAE**  
ANLAGENBAU

**LAE Anlagenbau GmbH**  
Altenwalder Chaussee 94-100  
D – 27472 Cuxhaven  
GERMANY  
Tel.: +49 4721 105 0  
FAX : +49 4721 105 210  
Mail : [info@lae-cuxhaven.de](mailto:info@lae-cuxhaven.de)  
Web : <https://lae-cuxhaven.de>



## **1 Product description**

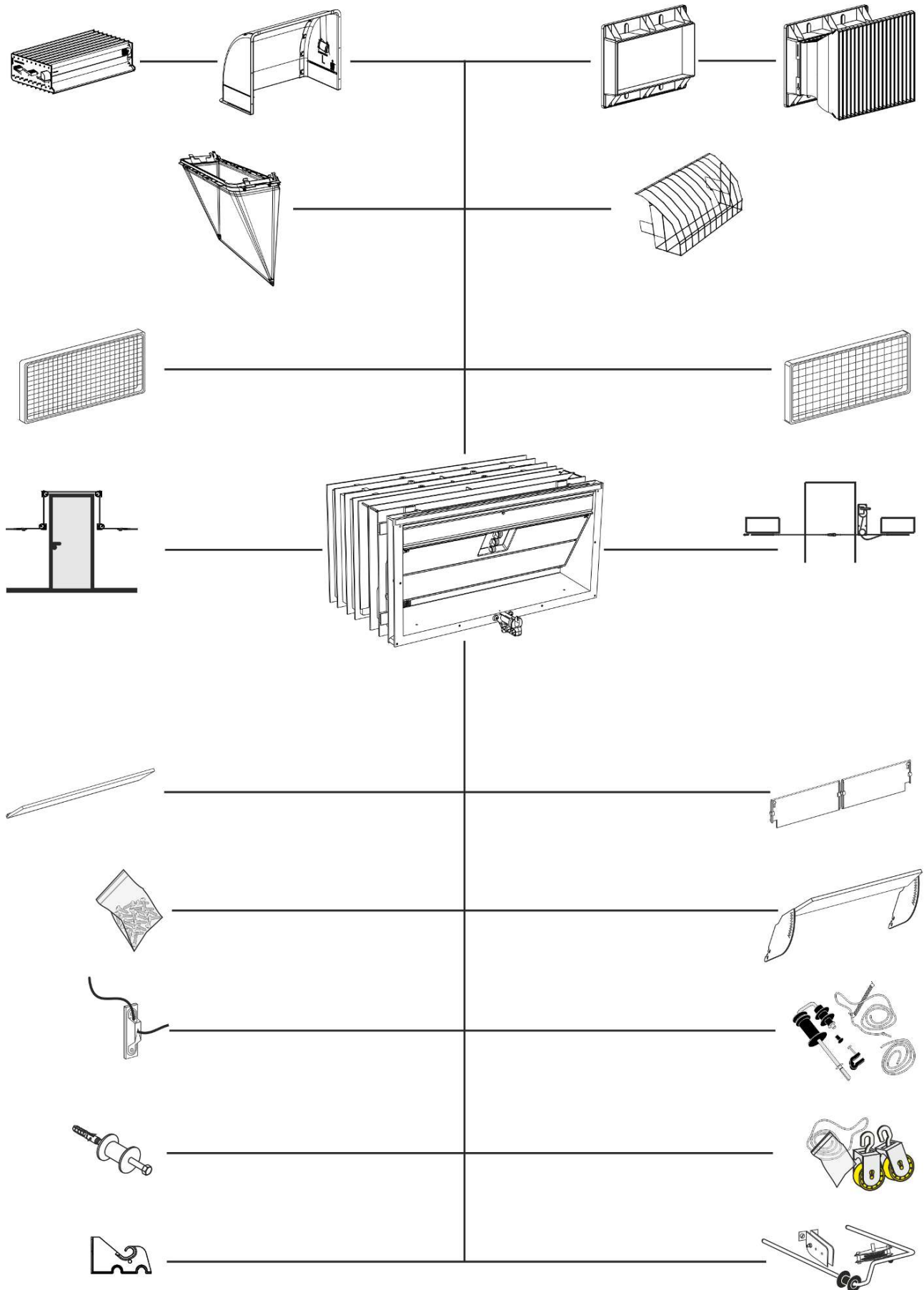
Wall inlet DA 1200 is a universal wall inlet which is used for ventilating livestock houses with natural, LPV or Combi-Tunnel ventilation.

The DA 1200 inlet can be built directly into a wall without any additional support, or it can be embedded directly in prefab elements at factories manufacturing such elements. The inlet can be assembled from modules in a number of different ways. The wall inlet is available in different widths making it suitable for wall thicknesses of up to 35 cm. The inlet is available either with a coarse or a fine mesh.

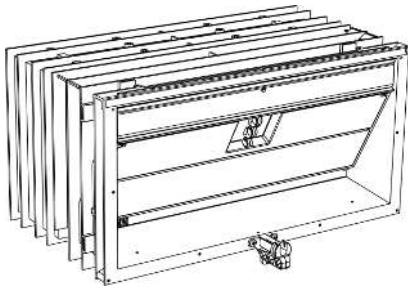
The Advanced inlet control of the inlets is patent pending and is supplied with a regulation set which makes it easy to adjust the air inlet in accordance with the current conditions.

The inlet is easy-to-clean due to its open and smooth construction. Also, the thermoplastic stands high-pressure cleaning. Furthermore, the choice of material makes the inlet resistant to UV radiation. The inlet is made of high-impact material; it is dimensionally stable and 100% recyclable.

## 2 Product survey



## 2.1 Wall inlet



**433020 DA 1220 wall inlet coarse net**

**433120 DA 1220 wall inlet fine net**

**433320 DA 1220 wall inlet without net**

**433001 DA 1220 wall inlet, transp. without net**

Used for wall dimensions from 20 to 23 cm.

**433024 DA 1224 wall inlet coarse net**

**433124 DA 1224 wall inlet fine net**

**433324 DA 1224 wall inlet without net**

**433002 DA 1211 1224 wall inlet, transp. without net**

Used for wall dimensions from 24 to 27 cm.

**433029 DA 1229 wall inlet coarse net**

**433129 DA 1229 wall inlet fine net**

**433329 DA 1229 wall inlet without net**

**433003 DA 1229 wall inlet, transp. without net**

Used for wall dimensions from 28 to 32 cm.

**433033 DA 1233 wall inlet coarse net**

**433133 DA 1233 wall inlet fine net**

**433333 DA 1233 wall inlet without net**

**433004 DA 1233 wall inlet, transp. without net**

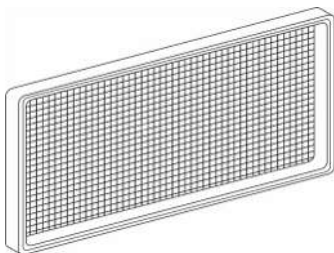
Used for wall dimensions from 33 to 35 cm.

DA 1200 is for building in or casting in prefab elements. The sturdy inlet can be built directly into a wall without any additional support, or it can be embedded directly in prefab elements at factories manufacturing such elements. The inlet can be assembled from modules in a number of different ways. The inlet shutter is insulated.

The inlet is supplied with regulation set and parts for Advanced Inlet Control.

---

## 2.2 Accessories



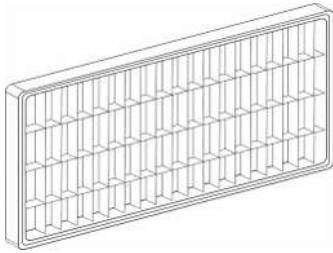
**433016 DA 1200 net, fine 10x10 mm**

The net for 1211/1211B is ordered separately. Fine net prevents the ingress of mice and rats.

Net size 10x10 mm. Self-supporting, but it is recommendable to fasten it with screws if used together with the extension.

Fine net reduces inlet capacity by approx. 10 %.

One per inlet.



#### 433015 DA net, coarse 65x20 mm

The net for DA 1211/1211B is ordered separately.

Net size 65x20 mm. Self-supporting, but it is recommendable to fasten it with screws if used together with the extension.

Coarse net does not reduce the inlet capacity.

One per inlet.



#### 433022 DA 1200 set w. screws x10 for block

Used for assembly of DA 1200 inlets where these are to be mounted in blocks. Includes 40 5x45 mm stainless screws.

One set for each 10 inlets.



#### 433117 DA 1211/1911 net holder set for 25 inlets

The net holder is used for mounting the net when mounting is required on the outer wall instead of directly on the inlet, for example, at deep window openings.

Contains 100 pcs.

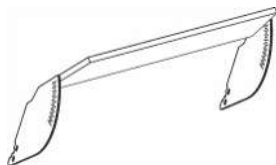
One set for each 25 inlets.



#### 433112 DA 1200 air direction baffle, short

The air direction baffle is 7.5 cm. Air direction baffle (short/long) can be used for adjusting the air jet under cold weather conditions and to avoid adhesion on the wall. The baffle is used for all inlets. However, in connection with 2 rows of inlets the baffle is only required for the top row if the inlets are placed right above each other.

One per inlet or one for every second inlet.



#### 433114 DA 1200 air direction baffle, long incl. side plate

The air direction baffle is 15 cm and includes side plates. Air direction baffle (short/long) can be used for adjusting the air jet under cold weather conditions and to avoid adhesion on the wall. The baffle is used for all inlets. However, in connection with 2 rows of inlets the baffle is only required for the top row if the inlets are placed right above each other.

Long air direction baffle is applied where the air jet range and Coanda-effect are particular important, for instance in wide livestock houses.

One per inlet or one for every second inlet.



#### 560195 DA 1200 regulation set w. long U-shackle

Used where obstacles such as lopsided walls, steel trusses projecting up to 70 mm out from the wall, etc. impede the free movement of the pull rod. The current system of Advanced inlet control cannot be used with the kit and therefore an extra string with spring to reduce the slack is included by which you can make Advanced inlet control.

The inlet flap should as a maximum open to a horizontal position; otherwise it may overload the winch motor.

One per inlet.



**433039 DA 1200 extension piece 240 mm**

**S433037B DA 1200 extension piece 400 mm, type B**

The extension rod is used if you want to run the pull rod round heavy concrete pillars or the like, where it is not possible to run the pull rod directly through the pillar by making a through-going hole. The extension rod is made of stainless steel.

One per inlet.



**401902 DA 1000/1200 single operation set**

If individual operation of each inlet is required, DA 1200 single operation set is mounted.

One per inlet.



**401935 Carrier roller f. pull rod, built-in inlet**

Is used for built-in inlets.

If the distance between the inlets exceeds approx. 2 m, the pull rod will bend downwards causing inaccuracies if carrier rollers are not used.

One unit for each 2 meters free-hanging pull rod.



**401349 All-purpose holder for pull rod**

If the distance between the inlets exceeds 2 m, the pull rod will bend downwards causing inaccuracies if all-purpose holders are not used.

One unit for each 2 meters free-hanging pull rod.



**433021 DA 1200 regulation set for 2 inlets**

DA 1200 regulation set for 2 inlets at different heights.

A pull rod row for each row of inlets is preferred and using 433021 should therefore be regarded as a cheaper alternative.

One for each inlet in the upper row.



**413214 LPV door set for pull rod 8 mm**

If there are doors or the like in the wall where the inlets are mounted and you temporarily want to end the pull rod, a special kit containing the necessary parts can be acquired. The kit makes it possible to manually maintain correct ventilation level and easily reestablish the pull rod.

One per door.



#### 433014 DA 1200 baffle plate

For reduction of external actions on the DA 1200 or DA 1211/1211B, baffle plates are offered in connection with one or more of the following conditions:

- The volume of the livestock house is low (narrow and low livestock house with a flat ceiling)
- In detached wind-affected buildings without windbreaks and the like.

The baffle plate must be mounted on all inlets in the same room and are not to be used together with Advanced Inlet Control.

The baffle plate increases the requirements to the tightness of the building and cannot replace external windshield.

The baffle plate does not reduce the inlet capacity.

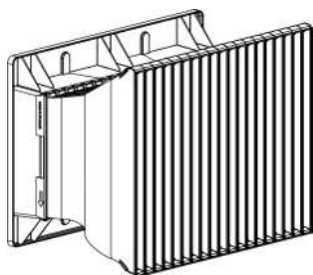
One per inlet.



#### 413223 Door set for wire tension

The mounting set is used where the pull rod is directed along the door frame by means of wire and reels.

One per door.

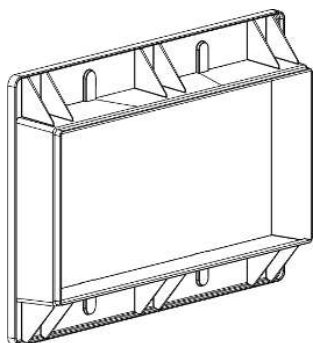


#### 433064 DA 1200 light trap complete

Used for DA 1200 brick-in wall inlet if dimming of light is required.

The light-tightness of the light trap is 99.9 %, corresponding to 20,000 lux outside and 0.05 lux inside (0.05 lux corresponds to 2.5 ppm).

One per inlet.



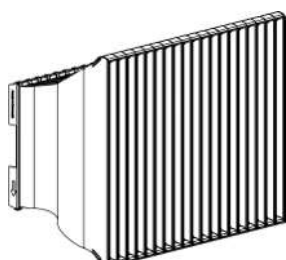
#### 433067 DA 1200 outside flange

The flange is included in 433064 but can also be mounted on the outside in connection with DA 1211/1211B flange inlets to

- increase the output to the same level as DA 1200. Correct the number of inlets, if needed.
- make a nicer finish on the outside of the building and the net can subsequently be mounted on the flange.
- give a broader covering than 433281

433067 can be used when the lateral distance between the inlets is more than 5 cm.

One per inlet.

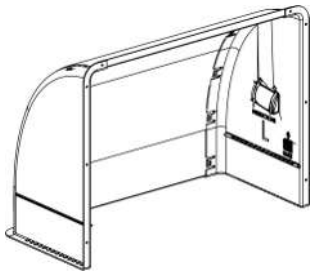


#### 433066 DA 1200 light trap ex. flange

Used for retrofitting on DA 1200/1211/1211B when the flange is already on the building and light dimming is required.

The light-tightness of the light trap is 99.9 %, corresponding to 20,000 lux outside and 0.05 lux inside (0.05 lux corresponds to 2.5 ppm).

One per inlet.



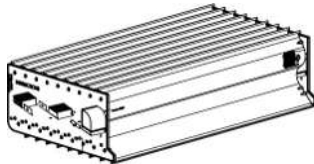
**433155 DA 1200 inlet cover**

DA 1200 inlet cover can be used together with the inlets of the DA 1200 series.

The inlet cover is designed to protect the livestock house against rain/snow and to provide a certain amount of wind and light dimming effect.

One per wall inlet.

---



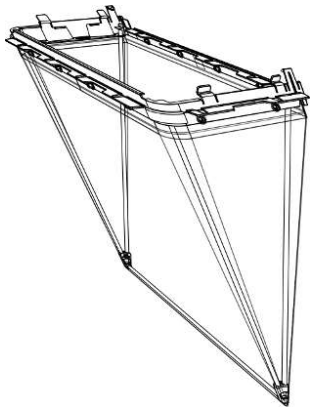
**433312 DA 1200 light trap for inlet cover**

DA 1200 light trap for inlet is always used together with DA 1200 inlet cover.

The light trap prevents a large amount of daylight from seeping into the building ("brown out"). The light trap is made of injection-molded PP (polypropylene) which is dirt-repellent and easy to clean.

Use one for each DA 1200 inlet cover.

---



**433334 DA 1200 fly screen**

DA 1200 fly screen for inlet cover is always used together with DA 1200 inlet cover.

The fly screen prevents the ingress of flies and the screen is self-supporting.

Can only be used for inlets in 1 row.

With regular and sufficient cleaning, the capacity of the inlet is not reduced by the use of the fly screen.

One per inlet.

---



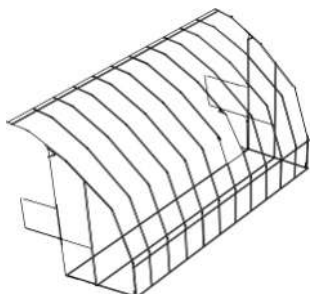
**433317 Fly screen - 25 m x 1.37 m**

Fly screen on a roll prevents the ingress of flies.

With regular and sufficient cleaning there will be no significant pressure loss, but an emergency opening should be provided via bypass in case the fly screen is choked.

Use 1 m<sup>2</sup> fly screen per 2000 m<sup>3</sup>/h max. air.

---



**433138 DA 1200 hen net, hinged**

The hen net prevents the fledged hens from sitting in the air inlet. The net is top-hinged, allowing easy access when servicing the inlet.

Screw kit (560333) is ordered separately.

---



**560333 Screw kit DA 1200/1911 hen net**

The screw kit is used to mount the hen net.

1 set per hen net.

---



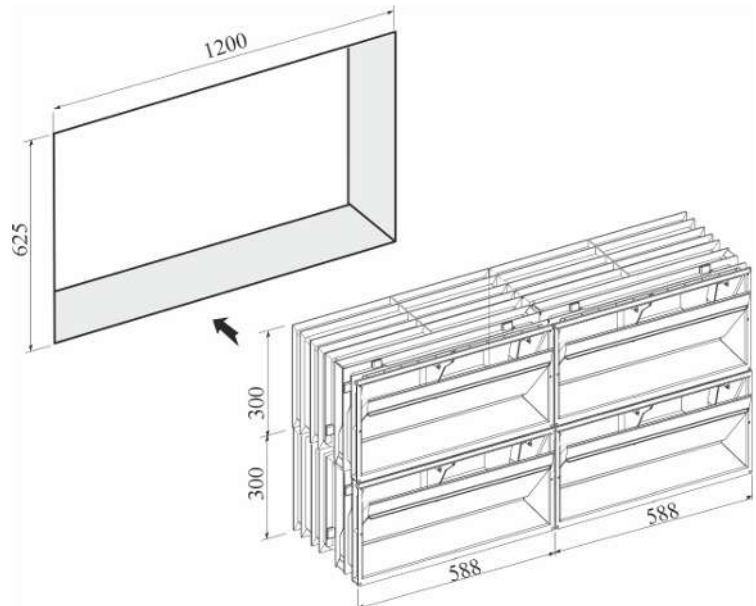
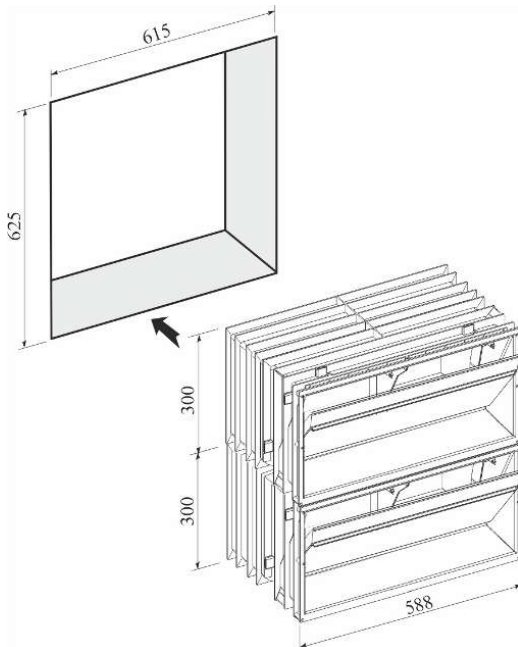
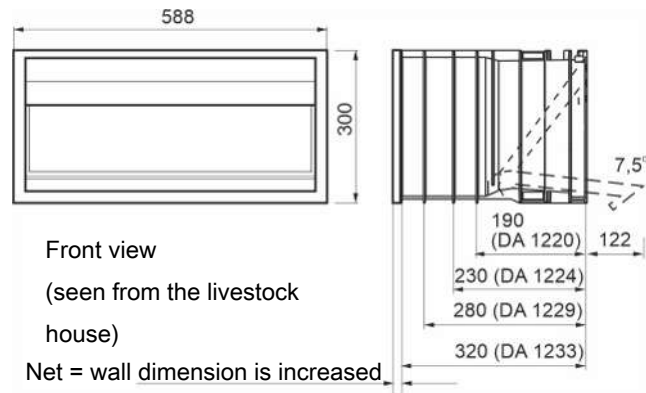
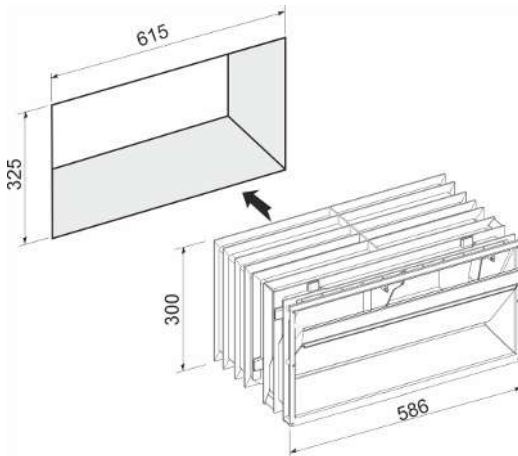
### 3 Technical data

		DA 1200
<b>Mechanical</b>		
Material		100% recyclable thermoplastic, high-impact material, dimensionally stable and UV stabilized
Springs		Stainless steel
Color - inlet casing		Graphite gray
Color - inlet flap		Blue
Color - light trap		Black
Net size	mm	
Coarse net		65x20
Fine net		10x10
Tensile force per inlet	N	28
Tensile force with baffle plate	N	44
Tensile length	mm	390
<b>Air output at -10 Pa</b>		
No accessories	m <sup>3</sup> /h	1300
Inlet Cover	m <sup>3</sup> /h	1100
Inlet cover+ light trap	m <sup>3</sup> /h	1050
Light trap	m <sup>3</sup> /h	1000
<b>Environment</b>		
Temperature, operation	°C (°F)	-40 to +40 (-40 to +104)
Storage temperature	°C (°F)	-40 to +65 (-40 to +149) – and protected against direct sunlight.
Ambient humidity, operation	% RH	0-95 % RH
<b>Shipment</b>		
[LxHxW] + extension	mm	1067x581x335
<b>Weight</b>		
DA 1220 wall inlet incl. net	g	3800
DA 1224 wall inlet incl. net	g	4200
DA 1229 wall inlet incl. net	g	4700
DA 1233 wall inlet incl. net	g	5000
Light trap complete	g	6000
Light trap outside flange	g	1500
Light trap without flange	g	4500
<b>Number of inlets per pallet</b>		
DA 1220 wall inlet incl. net	pcs.	60
DA 1224 wall inlet incl. net	pcs.	54
DA 1229 wall inlet incl. net	pcs.	42
DA 1233 wall inlet incl. net	pcs.	36
Light trap and flange		Are supplied on separate pallets. The light trap is stacked in 7 layers with 4 pcs. in each layer, total height approx. 223 cm.

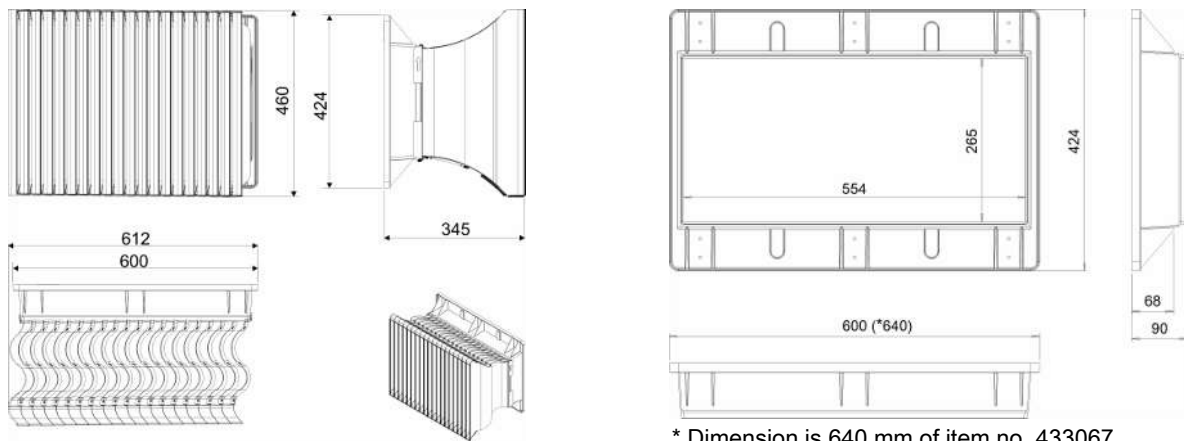
### 3.1 Dimensioned sketch

All dimensions are in mm.

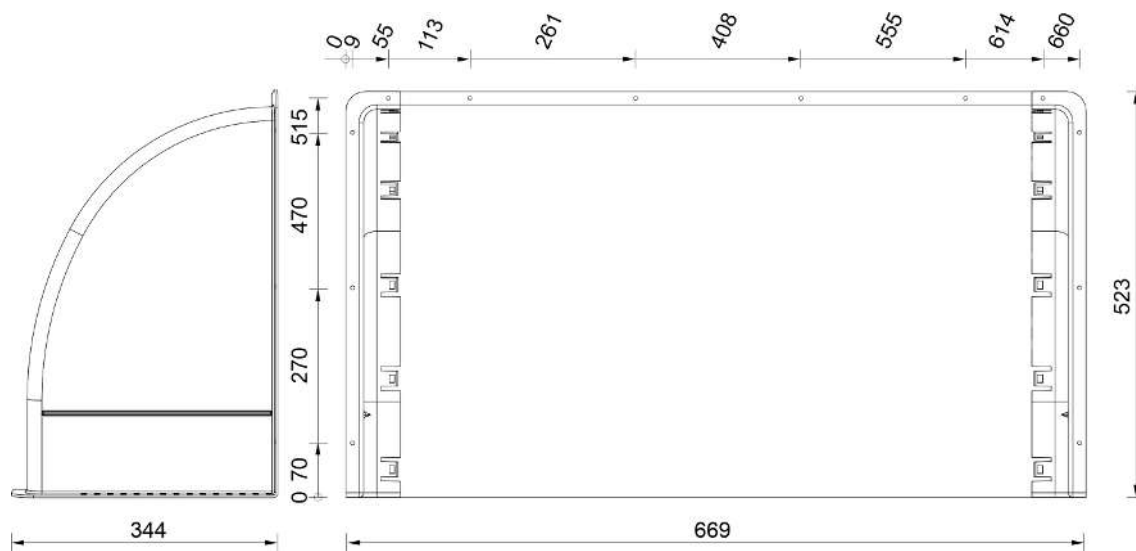
#### 3.1.1 Wall inlet



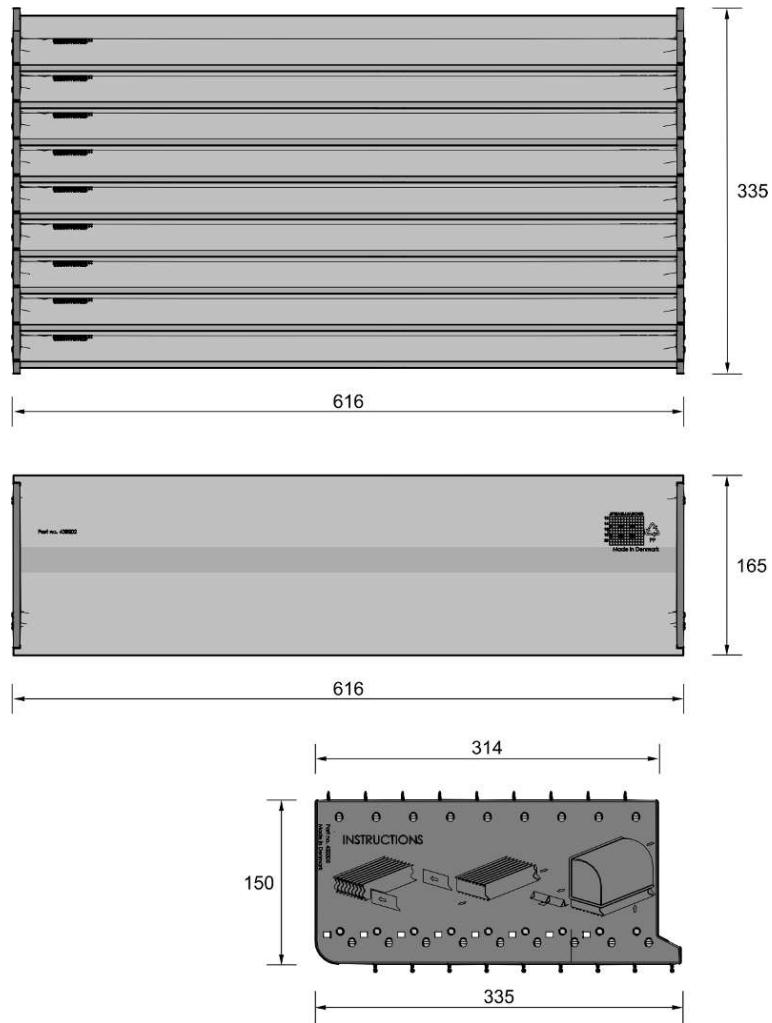
### 3.1.2 Light trap complete/outside flange



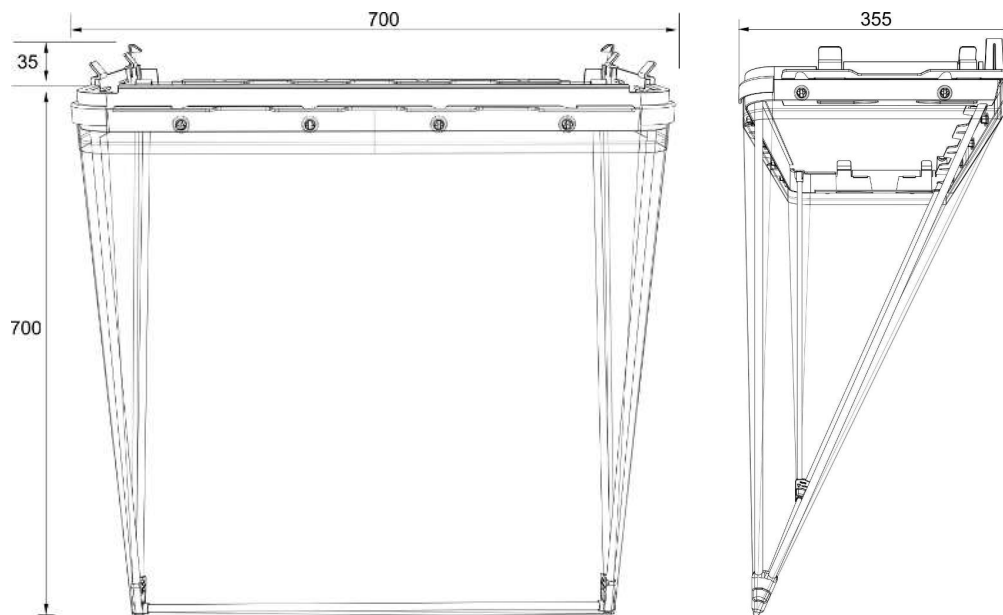
### 3.1.3 Inlet Cover



### 3.1.4 Light trap for inlet cover



### 3.1.5 Fly screen for inlet cover









Your service partner



**LAE Anlagenbau GmbH**  
Altenwalder Chaussee 94-100  
D – 27472 Cuxhaven  
GERMANY  
Tel.: +49 4721 105 0  
FAX : +49 4721 105 210  
Mail : [info@lae-cuxhaven.de](mailto:info@lae-cuxhaven.de)  
Web : <https://lae-cuxhaven.de>

SKOV A/S • Hedelund 4 • Glyngøre • DK-7870 Roslev  
Tel. +45 72 17 55 55 • [www.skov.com](http://www.skov.com) • E-mail: [skov@skov.dk](mailto:skov@skov.dk)

