

DOL 9940-2 feed weigher

Technical Info



Your service partner



LAE Anlagenbau GmbH
Altenwalder Chaussee 94-100
D – 27472 Cuxhaven
GERMANY
Tel.: +49 4721 105 0
FAX : +49 4721 105 210
Mail : info@lae-cuxhaven.de
Web : <https://lae-cuxhaven.de>



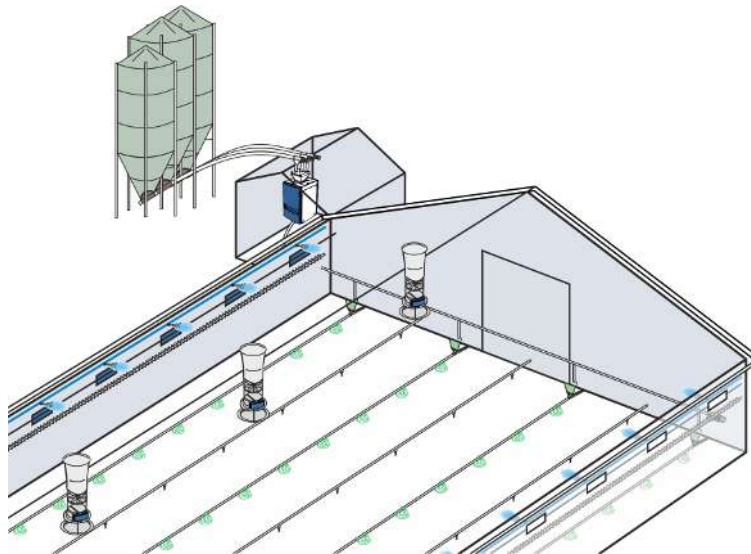
1 Product description

DOL 9940-2 is a feed weigher with a portion size of 40 kg, which is used for precise weighing of the feed consumption in livestock houses. It consists of a dust and splash proof cabinet with feed supply at the top and feed discharge at the bottom. Inside the cabinet, a weighing hopper is filled and emptied based on signals from a controller. The weighing hopper is suspended from 2 load cells, which transmit a signal (a voltage in mV) corresponding to the amount of feed in the weighing hopper.

DOL 9940-2 with distribution shutter can supply feed to 2 feeding systems. The distribution shutter is a power operated shutter, which distributes feed from DOL 9940-2 to feed system 1 or 2.

The amount of feed is controlled and calculated by a controller, to which DOL 9940-2 is connected.

Two inspection panels at the top make it possible to place 4x5 kg calibration weights on the edge of the weighing hopper, calibration weights are used to calibrate the feed weigher. This is done in connection with a calibration program in the controller.



Removable front and rear panels allow internal cleaning and inspection of the feed weigher's function.

Feed is supplied at the top of DOL 9940-2, possibly through an inlet funnel, which can handle feed from 3 or 5 augers/silos. Inlet funnel is available as accessories.

DOL 9940-2 DOL 9940-2 feed weigher	DOL 9940-2 feed weigher with distribution shutter

2 Product survey

2.1 DOL 9940-2



130329 DOL 9940-2 feed weigher with distribution shutter

Feed weigher with build in motorized shutter which distributes the feed between two feeding systems.

130339 DOL 9940-2 feed weigher

Feed weigher for accurate weighing of feed consumption in houses

Nominal voltage: 24 V DC

Input signal: 24 V DC

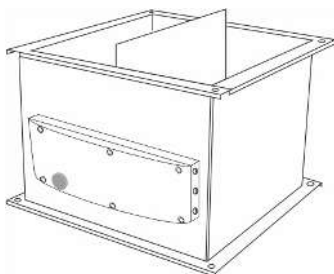
Output signal: 0-10 V DC

Portion size: max. 40 kg.

Capacity: max. 7,000 kg/h using a 12,000 kg/h auger.

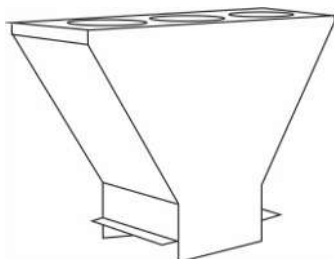
Hopper below the weigher: min. capacity 80 kg

2.2 Accessories



132652 Distribution shutter for feed weigher

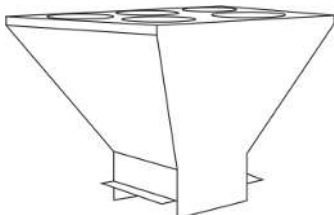
Motorized shutter which distributes the feed between two feeding systems.



132651 Inlet funnel for feed weigher 3 comp.

Inlet funnel for 3 feed components.

ø102 mm connection at the top.



132654 Inlet funnel for feed weigher 5 comp.

Inlet funnel for 5 feed components.

ø102 mm connection at the top.



132672 Calibration weights for feed weigher 4x5 kg

Is used for calibrating the feed weigher.

3 Technical data

		DOL 9940-2	DOL 9940-2 w/distribution shutter
Electrical			
Load amplifier			
Operating voltage	V DC	20 - 30	
Max. power consumption	mA	80 - 100	
Reference output	V DC	9.5 – 9.7	
Weighing signal output at 40 kg i the weighing hopper	V DC	1.0 – 6.2	
Linearity	%	0.03	
Magnet coil			
Rated voltage	V DC	24	
Max. current consumption at 24 V DC	A	0.66	
Distribution shutter			
Rated voltage	V DC	-	24
Max. current consumption at 24 V DC	A	-	0.2
Running time, unloaded	Sec.	-	70
Running time, at max. load	Sec.	-	85
Max. torque	Nm	-	8
Mechanical			
Material		Aluzinc plate / ABS plastic	
Appropriate for		Dry, pelleted and granulated feed	
Portion size per weighing	kg	10 - 40	
Minimum portion which will be weighed	°	40	
Accuracy with house controller from SKOV A/S		0.50 % of 40 kg over min. 1 year Independent of afterrun and deposits in weighing container	
Environment			
Temperature, operation	°C	÷ 10 to + 45	
Storage temperature	°C	÷ 25 to + 60	
Ambient humidity, operation	% RH	0 - 80	
Protection class	IP	Feed weigher: IP 55	
Shipment			
Dimensions HxWxD	mm	1000x600x680	
Weight	g	7000	7400
Shipping weight	g	7200	7600

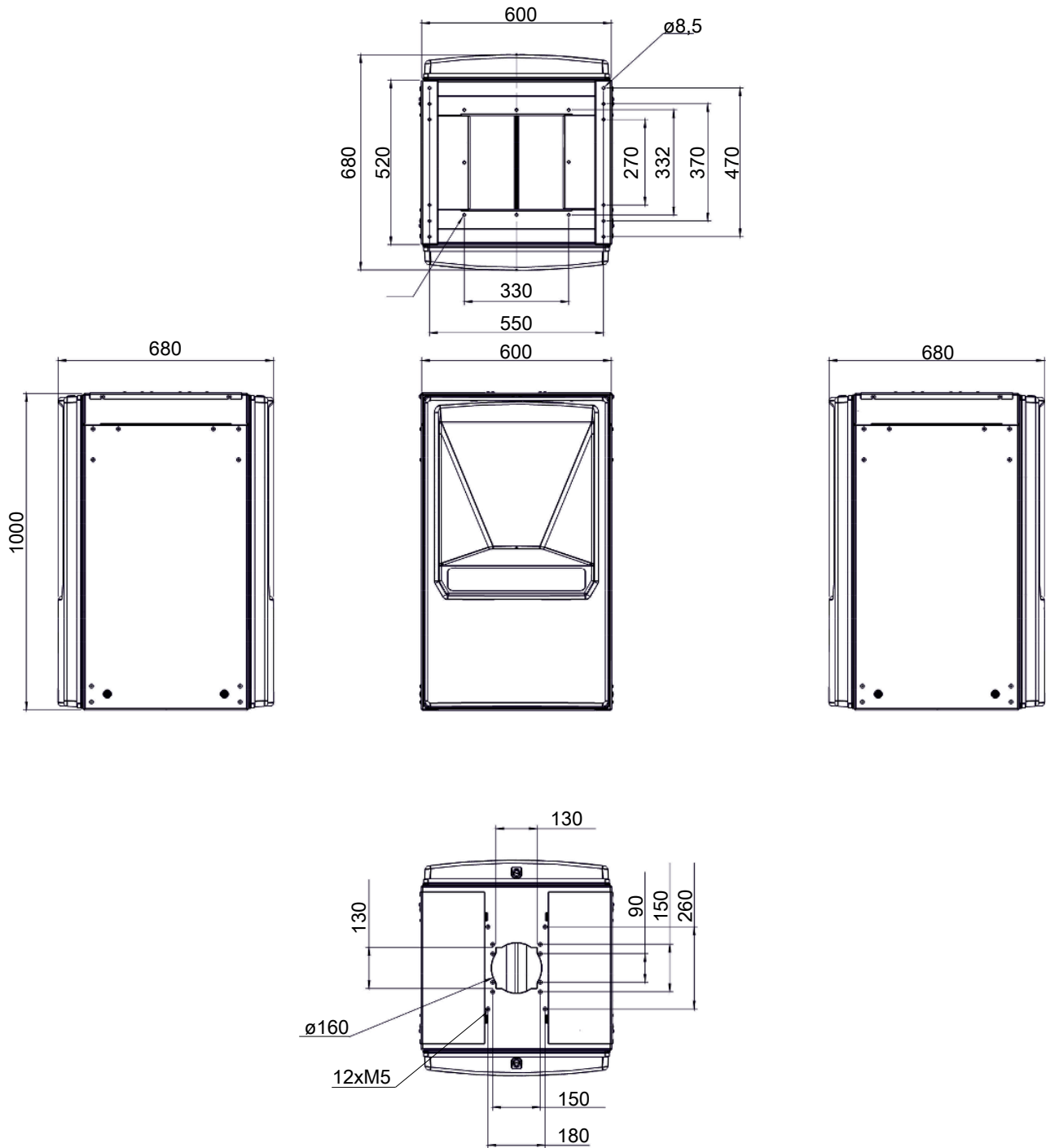
3.1 Capacity

Capacity, inlet equipment [kg/hour]	Feed auger [mm]	Capacity at 1 component [kg/hour]	Capacity at 2 component [kg/hour]	Capacity at 3 component [kg/hour]
1300	75	1200	1100	1000
2300	90	2000	1850	1700
4300	125	3300	3000	2700
8000	>125	5400	4500	3800
12000	>125	7000	5600	4600

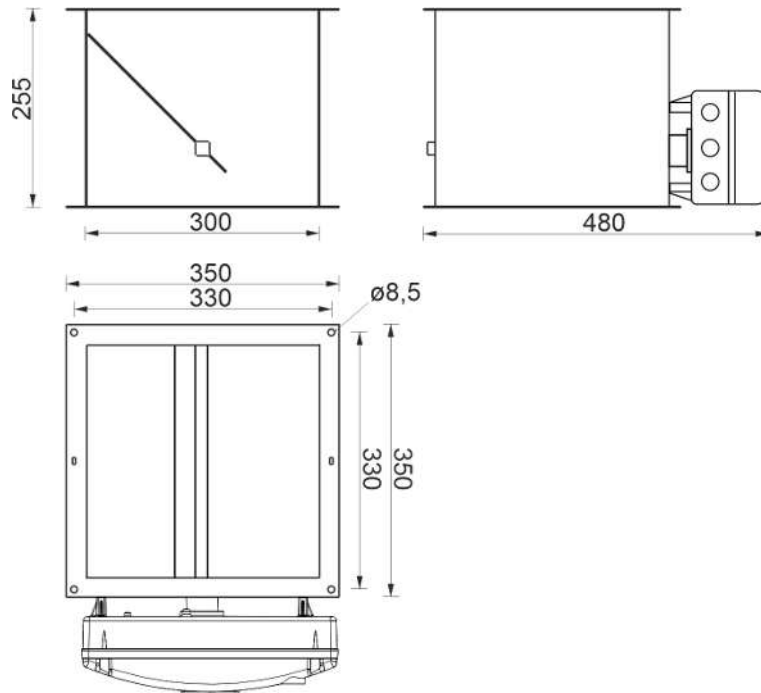
3.2 Dimensioned sketch

All dimensions are in mm.

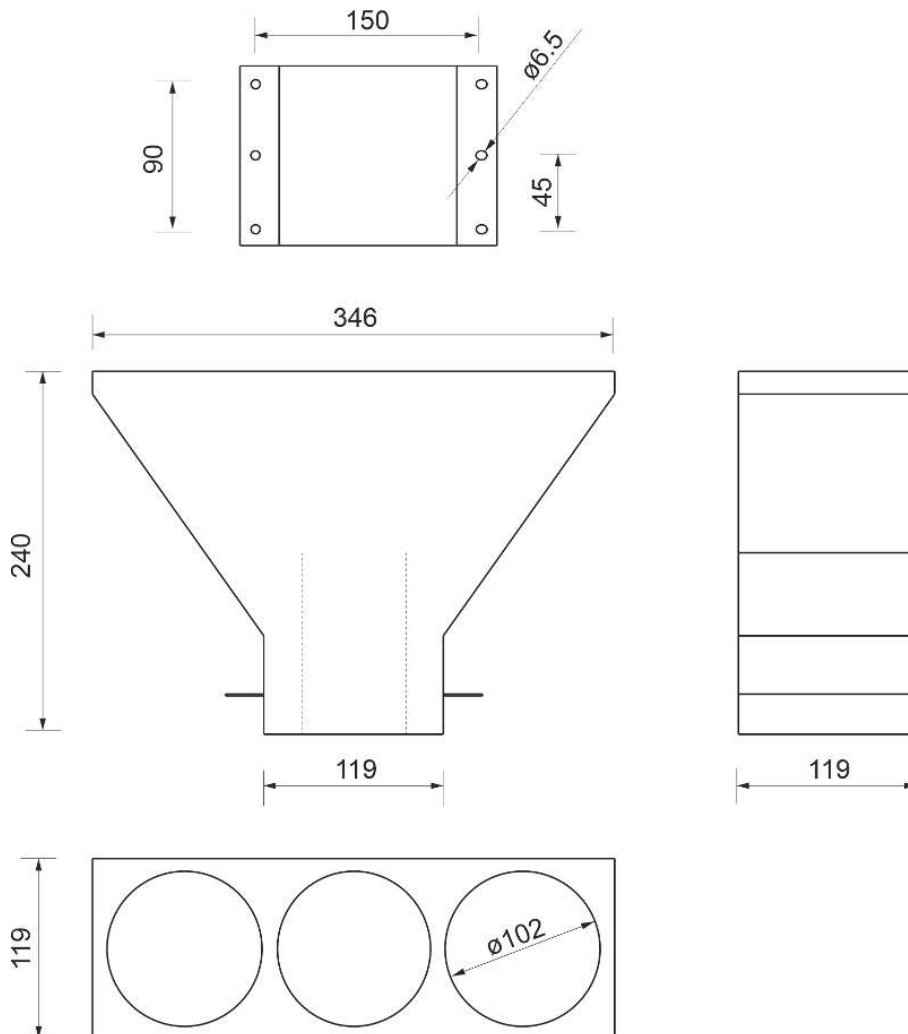
3.2.1 Feed weigher



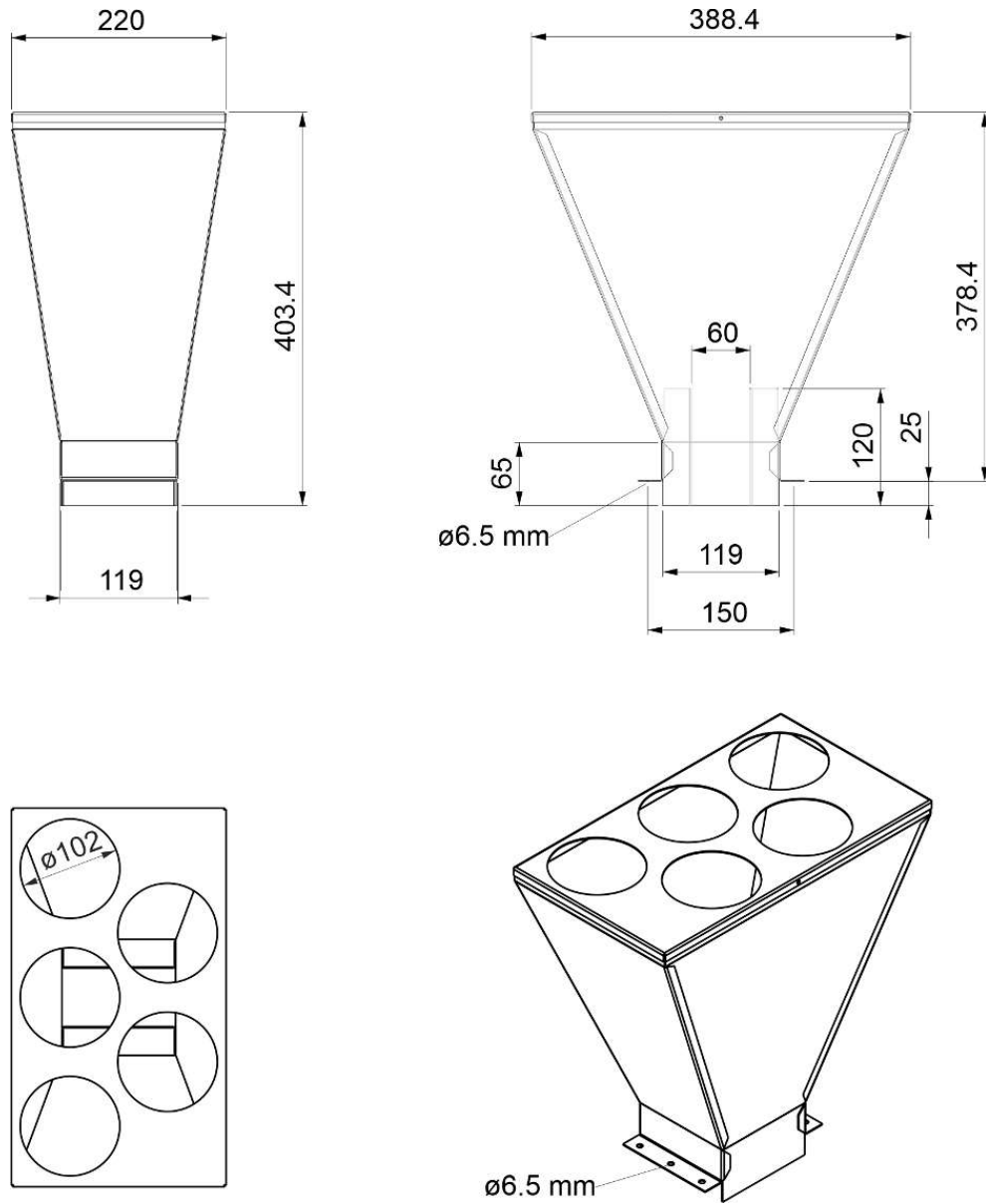
3.2.2 Distribution shutter



3.2.3 Inlet funnel for 3 components



3.2.4 Inlet funnel for 5 components



SKOV A/S • Hedelund 4 • Glyngøre • DK-7870 Roslev
Tel. +45 72 17 55 55 • www.skov.com • E-mail: skov@skov.dk

