

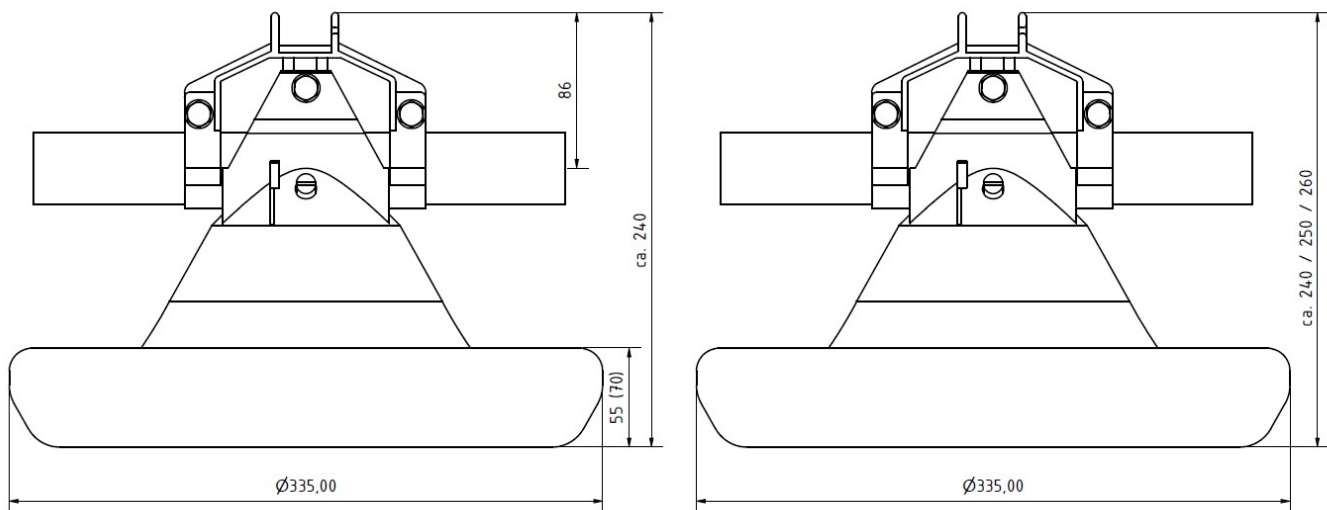
SPIRALO 40 feeder

Technical information



SPIRALO 40 feeder pan
 Pan diameter 335 mm
 Pan circumference 1.052 mm
 Pan height 55 mm / 70 mm
 Pan filling capacity

Broilers capacity SPIRALO 40 / SPIRALO 45 pan feeders			
	Light birds < 1.800 gram	Medium birds 1.800 – 3.000 gram	Heavy birds > 3.000 gram
Number of birds/pan	82 – 100	55 - 82	40 - 55
Density birds/m ² <i>based on 39 kg/m²</i>	21 - 24	13 - 21	10 - 13
Max. daily feed intake (g/bird)	170	190	220



Klammermaß = hohe Futterschale
 dimensions in parentheses = low feed pan