

LAE HOPPER BINS

TYP OEM 6 7 9 AND 10,5



• Technical information



LAE metallic feed hopper bins manufactured under German standard, reliable and for many national and international projects delivered.

Cylindrical part made of corrugated metal sheet, connections are watertight sealed and bolted. Cone and roof in galvanized flat steel sections, connected by means of screws.

Optionally deliver with pneumatic filling pipe, ladder, mechanical cover and inspection door.

- Special galvanized steel sheets 350 g/sqm zinc coating guaranteed governmental inspected MPA. NRW.
- Complete assembly with hot dip galvanized bolts no welding seams easy assembly anywhere.
- Static calculation can be supplied.
- Approval: TP-17-0015-05.07.2019 up to wind area 4
- Little shipping space required in single parts up to 25 bins per truck.
- Loading by optionally screw conveyor or pneumatically
- Easy discharge with 60 degree hopper funnel.
- Special galvanized auger box for all standard auger diameters.
- Registration of trade mark applied.
- Unique auger box for optimum discharge conditions afforded by different outlet inclinations.
-

Silo Typ	Volume (cbm)	Capacity (T)	Weight (kg)	Nr: of legs	Dimension (mm)						
					A	B	C	D	E	F	G
OEM 601	3,9	2,5	294	4	800	1.273	813	374	145	1.820	3.405
OEM 602	6,0	3,9	347	4	800	1.273	813	374	145	1.820	4.248
OEM 603	8,1	5,3	410	4	800	1.273	813	374	145	1.820	5.031
OEM 604	10,2	6,6	477	4	800	1.273	813	374	145	1.820	5.844
OEM 702	8,7	5,7	396	4	800	1.533	813	460	145	2.135	4.564
OEM 703	11,6	7,5	447	4	800	1.533	813	460	145	2.135	5.377
OEM 704	14,5	9,4	524	4	800	1.533	813	460	145	2.135	6.190
OEM 705	17,4	11,1	648	4	800	1.533	813	460	145	2.135	7.003
OEM 706	20,3	13,2	714	4	800	1.533	813	460	145	2.135	7.816
OEM 903	20,6	13,4	737	6	800	2.057	813	638	145	2.750	6.079
OEM 904	25,0	16,5	803	6	800	2.057	813	638	145	2.750	6.892
OEM 905	30,2	19,6	933	6	800	2.057	813	638	145	2.750	7.705
OEM 1053	30	19,5	833	6	800	2.452	813	772	145	3.200	6.608
OEM 1054	36,6	23,8	1.043	6	800	2.452	813	772	145	3.200	7.421
OEM 1055	43,2	28,1	1.218	6	800	2.452	813	772	145	3.200	8.234
OEM 1056	49,8	32,4	1.358	6	800	2.452	813	772	145	3.200	9.047

Specific weight 0.65 kg/dm³
 Technical alternations reserved

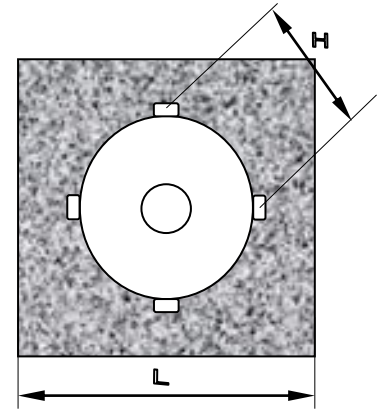
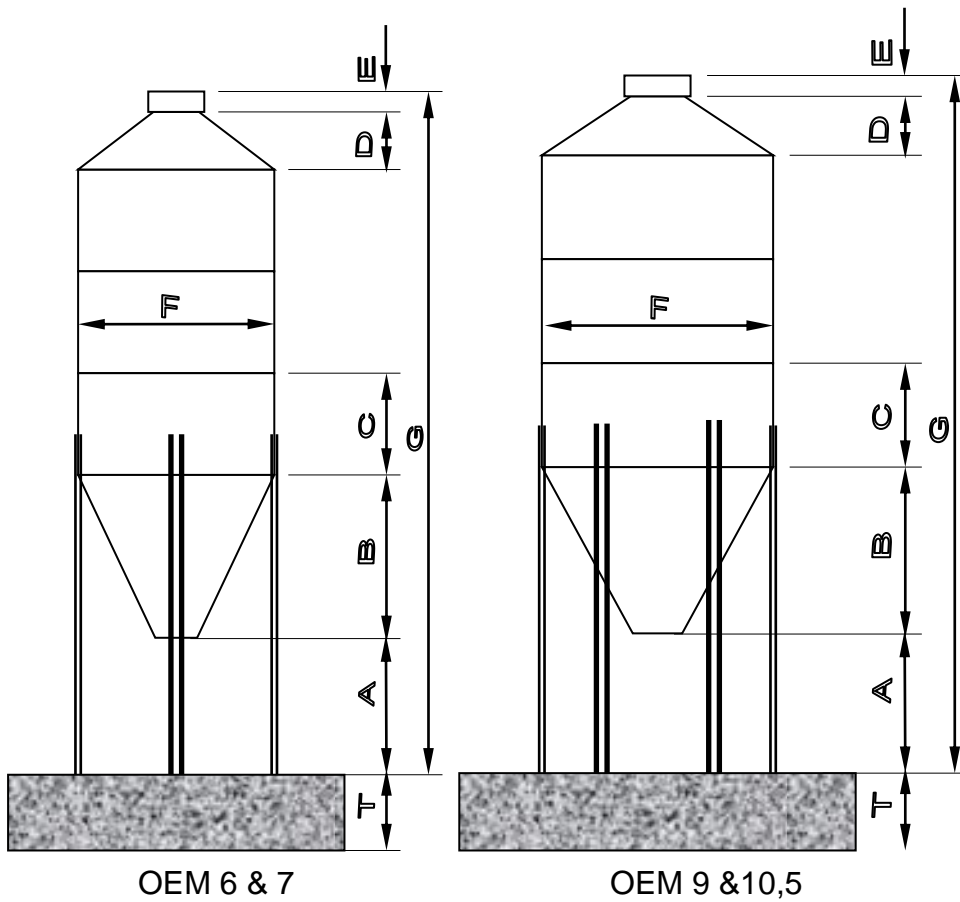
LAE Anlagenbau GmbH • Altenwalder Chaussee 94 – 100 • D – 27472 Cuxhaven
 Tel : +49 4721 105 0 • FAX : +49 4721 105 210 • E-MAIL : cux@lae-cuxhaven.de
 Internet : <http://www.lae-cuxhaven.de>

Livestock Animal Equipment

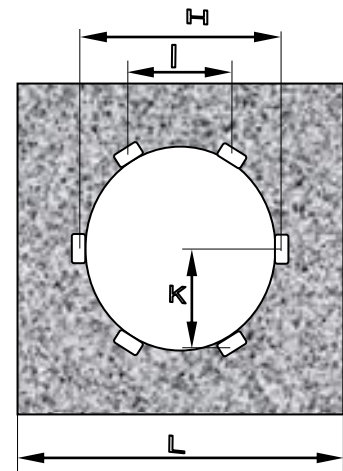


LAE
ANLAGENBAU

• **Silo dimensions**



OEM 6 & 7



OEM 9 & 10,5

Silo Typ	Dimension (mm)					
	SILO FOUNDATION					
	H	I	K	SIZE "L"		THICK "T"
OEM 6	1.480			2.710	2.710	0,80
OEM 7	1.630			2.900	2.900	0,80
OEM 9	1.421	2.842	1230	3.350	3.350	0,90
OEM 10,5	1.647	3.295	1230	3.895	3.895	0,90

Technical alternations reserved