

LAE Exhaust Unit TYPE DA920

- **Technical Information**



LAE Exhaust Units TYP DA920 are suitable for any task of ventilation in agriculture. The exhaust Pipe is made of CFC-free and highly insulating polyurethane rigid foam. The outer and inner coating is made with fibre glass reinforced and UV-stabilised polyester.

The aerodynamically optimal shaped inlet nozzle with the DA 74 Adjuster Motor and the swivel shutter ensure a high efficient air inflow.

The exhaust cone also effects an increase of throw distance and at the same time it reduces the ingress of water drops into the exhaust units.

The high specific air capacity of the exhaust unit DA 920 in connection with a fan which is selectable as per the required air capacity enables a low energy consumption of this long-lasting construction.

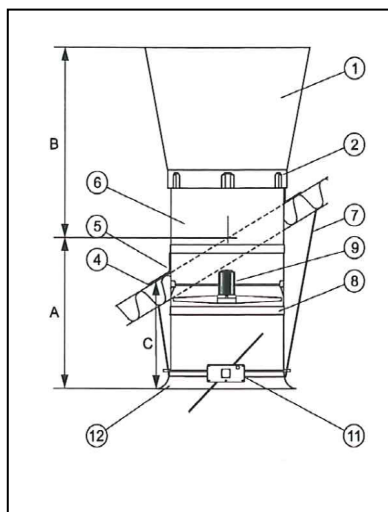
The DA 920 Exhaust units are successful in daily use worldwide in the agricultural industry, for years under most difficult conditions as well.

LAE Anlagenbau GmbH • Altenwalder Chaussee 94 – 100 • D – 27472 Cuxhaven

Tel : +49 4721 105 0 • FAX : +49 4721 105 210 • E-MAIL : cux@lae-cuxhaven.de

Internet : <http://www.lae-cuxhaven.de>

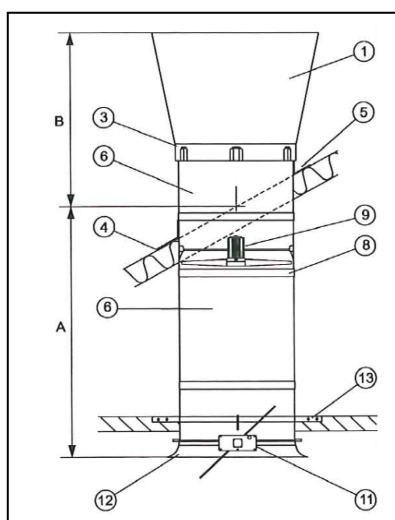
Livestock Animal Equipment



Installation dimensions for roof mounting DA 920

Roof pitch [°]	Pipe segments [m]	Installation dimension A [m]	Installation dimension B [m]	Installation dimension C [m]
0	1	1,12	1,35	1,12
5	1	1,07	1,40	1,02
10	1	1,03	1,44	0,93
15	1	0,99	1,48	0,84
20	1,5	1,45	1,52	1,25
25	1,5	1,41	1,56	1,16
30	1,5	1,37	1,60	1,08
35	1,5	1,33	1,63	1,00
40	1,5	1,30	1,67	0,93
45	1,5	1,27	1,70	0,86
50	1,5	1,24	1,73	0,80

Die Tabelle gibt die minimale Rohrlänge, abhängig von der Dachneigung, an.



Required pipe length (B ≥ 1,35m)

Distance from Roof to Fan [m]

Roof pitch [°]	2	4	6	8	10	12	14	16	18	20	22	24
0	0,5	0,5	0,5	0,5	0,5	0,5	0,5	0,5	0,5	0,5	0,5	0,5
5	1	1	1	1,5	1,5	1,5	2	2	2	2,5	2,5	2,5
10	1	1,5	1,5	2	2,5	3	3	3,5	4	4	4,5	5
15	1	1,5	2,5	3	3,5	4	4,5	5	5,5	6	6,5	7
20	1,5	2	3	3,5	4,5	5	6	6,5	7,5	8	8,5	9,5
25	1,5	2,5	3,5	4,5	5,5	6,5	7,5	8	9	10	11	12
30	2	3	4,5	5,5	6,5	7,5	9	10	11	12,5	13,5	14,5
35	2	3,5	5	6,5	8	9	10,5	12	13,5	15	16	17,5
40	2,5	4	6	7,5	9,5	11	12,5	14,5	16	17,5	19,5	21
45	3	5	7	9	11	13	15	17	19	21	23	25
50	3,5	5,5	8	10,5	13	15	17,5	20	22,5	25	27	29,5

Description Type	Negative Pressure [Pa]	Air Capacity m³/h	Specific W 1000 m³/h
DCT 920-1 3x400V 50Hz	0	27.700	32
	-10	26.800	34
	-20	25.800	37
	-30	25.000	39
	-40	24.000	42
	-50	22.900	45

Description Type	Negative Pressure [Pa]	Air Capacity m³/h	Specific W 1000 m³/h
DCT 920-2 3x400V 50Hz	0	30.800	42
	-10	29.900	44
	-20	29.500	46
	-30	29.000	49
	-40	28.600	51
	-50	27.900	54

Fan Type	Fan Noise, outside (2m distance, 45°) dB (A)
DCT 920-1 400V	72 dB (A)
DCT 920-2 400V	77 dB (A)

Other electric voltage and power as per your request